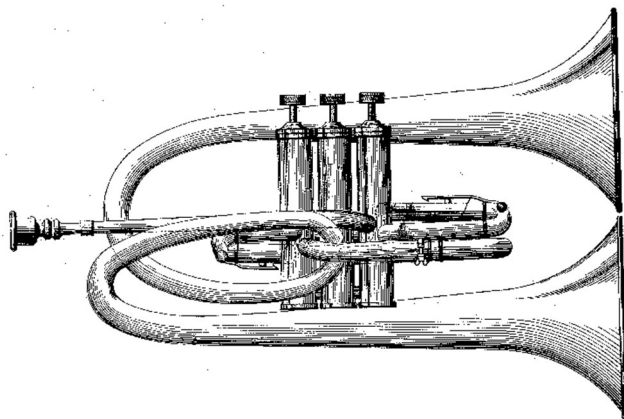


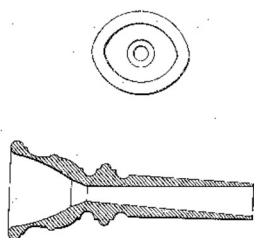
Z Albert Meredith

Marion, OH & Long Beach, CA

- 1869 Meredith is born on December 14 in Waring, OH.
- 1883 Starts playing cornet; living in Marion, OH (Long Beach Independent article 5/15/1949).
- 1900 In Elkhart, #103 S. Third St, jeweler, single (census).
- 1901 Living in Tahlequah in the Cherokee Nation in January and files for a patent on a two-bell cornet (patent).
- 1901 The town of Tahlequah, I.T. inventor "Z. A. Meredith is perfecting his invention of a two-bell cornet which will be placed on the market." (*MTR*, February) (bottom photo is only known existing & made in Elkhart; DeCarlis coll.)
- 1901 Living in Elkhart, Indiana in December (patent).
- 1903 Marries Leah Wise in Union, Kentucky and working as a jeweler in Marion, OH (marriage cert.).
- 1904 The Meredith Band Instrument Co, of Marion, OH, was incorporated on July 29th with \$10,000 capital by Z. Meredith, L. B. McNeal, J. F. McNeal, G. W. Baker & William Dowler (*MTR*).
- 1906 Granted patent #814,615 for two-bell cornet filed in 1901 (below & photo 4, Nick DeCarlis). Son Randolph is born.



- 1908 Granted patent #895,570 for a cornet mouthpiece.

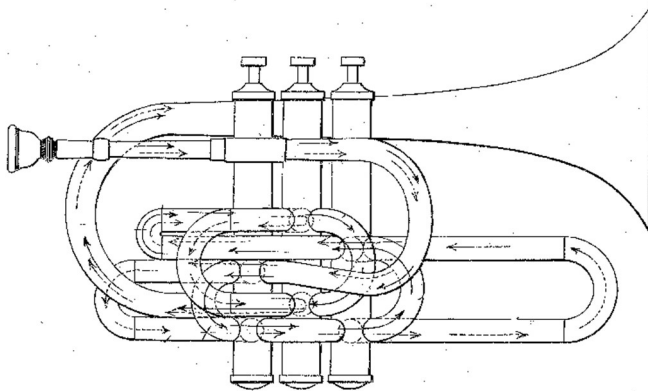


c1906 Cornet #138, photo 2 at right, matches 1912 patent.

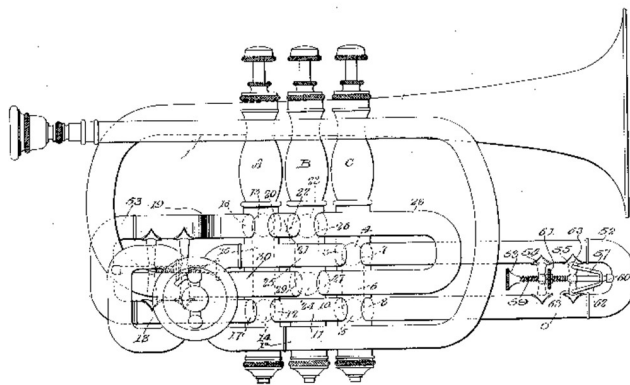
c1907 Cornet #217, photo 3 at right.

c1909 Cornet #2042, photo 4, has "Pats Pending" so dates to before the 1909 patent.

1909 Granted patent #939,285 for open tone cornet design filed in 1901 (below). Granted divorce from Leah.



1912 Granted patent #1,040,372 for open tone cornet design filed in 1906 (below).



1914 Band instrument manufacturer in Marion; marries Grace.

1916 Daughter Marjorie is born in Marion.

1918 The Meredith Band Inst. Co. is dissolved May 29th (Ohio State report; perhaps just ending the partnership?).

1919 Meredith Band Inst. Co., #224 State St, Marion (advert.).



High Notes on the **Cornet**
CAN YOU MAKE THEM WITH EASE?
FREE information will be given. Write us to-day
THE MEREDITH BAND INST. CO.
224 N. STATE ST. MARION, OHIO

Cornet #1524 (photo 1) & 2682 (photo 2) from auctions

c1920 Cornet #4987 has 1909 & 1912 patent stamp and made in Marion (photo 5 last page, auction photo).

1920 Musical instrument manufacturer in Marion (census). A news report from August says Meredith is closing his business on North State St (photo 3) and is storing the equipment until he finds a new west coast location. He had been on State St for several years.

1920s Early 20s ads have him still in Marion.

1925 Moves operation to Long Beach from Marion due to bronchitis (LB Independent article 5/15/49).

1930 The Meredith Band Instruments Co. first appears in the Long Beach, CA directory, #1084 Obispo Ave (photo 4).

The company name appears only from 1930-1932, then it's just under his name as manufacturer & repairer.

1935 Z. Albert Meredith, musical instruments, #1084 Obispo (directory).

1940 At #1084 Obispo, divorced, musical instrument repair (census).

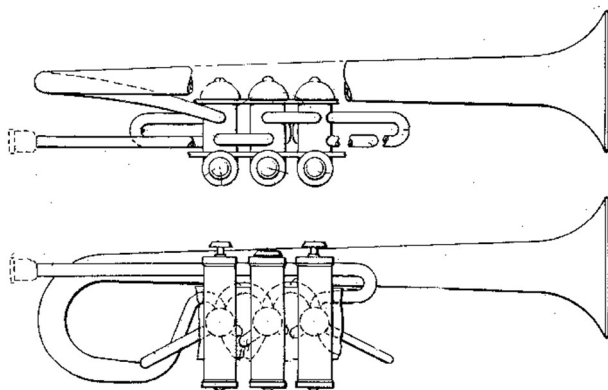
1945 His residence is at #2741 Wall.

1949 A newspaper article from May 15th says that Meredith has a "small, musty shop at 1084 Obispo Ave" and that he was 80 years old. He moved there in 1925 from Marion.

1953 Meredith is no longer listed in the city directory. He is living in Long Beach and files for a valve patent with assignor to Donald & George Heaston.

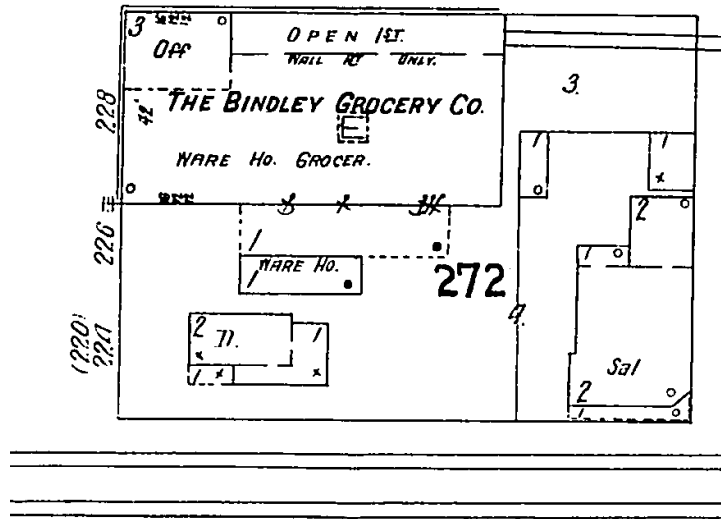
1956 Meredith dies on January 9th at age 86. His business is now owned by Donald Heaston.

1957 Granted patent #2,794,358 for rotary valve design (below).



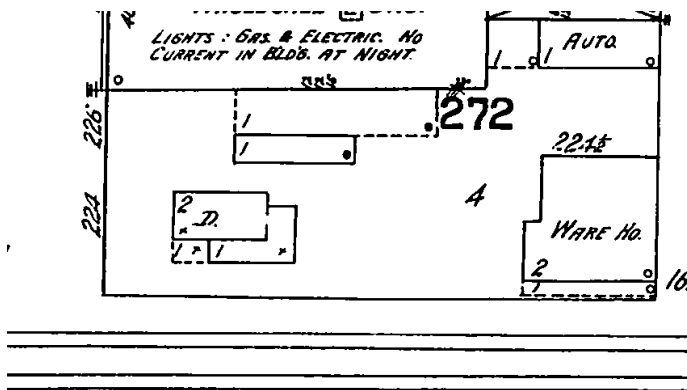
It's never given in any document found so far what "Z" stands for but Donald Heaston said it was added by Albert.

Marion Store: #224 N. State St. shows in a 1908 map as a residence with one story warehouse next to it.



Two-bell cornet c.1901, author's photo; collection of Nick DeCarlis

By 1914, the building in the rear is a warehouse.



In 1914 there is a shop one block south at the corner of E. Mill St.; this building is blacked out in 1919 so perhaps removed.

